

FICHA TÉCNICA **N-616**

ARRESTADOR FRENO PARA CUERDA 12,7 - 14mm (1/2" - 9/16")



N-616 **Panic Rope Grab** **(Open type)**

Stainless steel

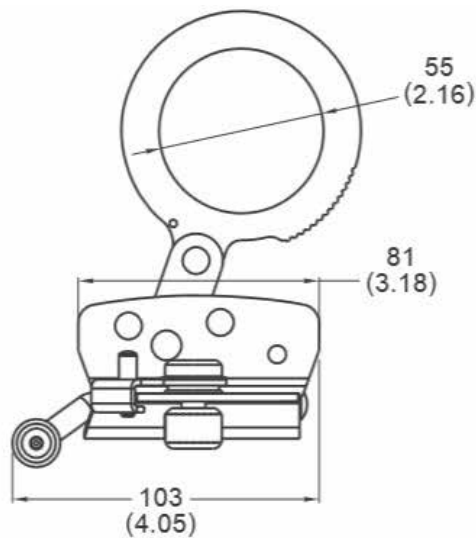
For Rope : 12.7 - 14 mm (1/2 " - 9/16 ")

Min. Breaking load : 3600 lbs / 16 kN

Meets :

- ANSI Z359.1
- EN 353-1/2

Net weight : 20.2 oz. / 588 g.



mm (inch)

polished

